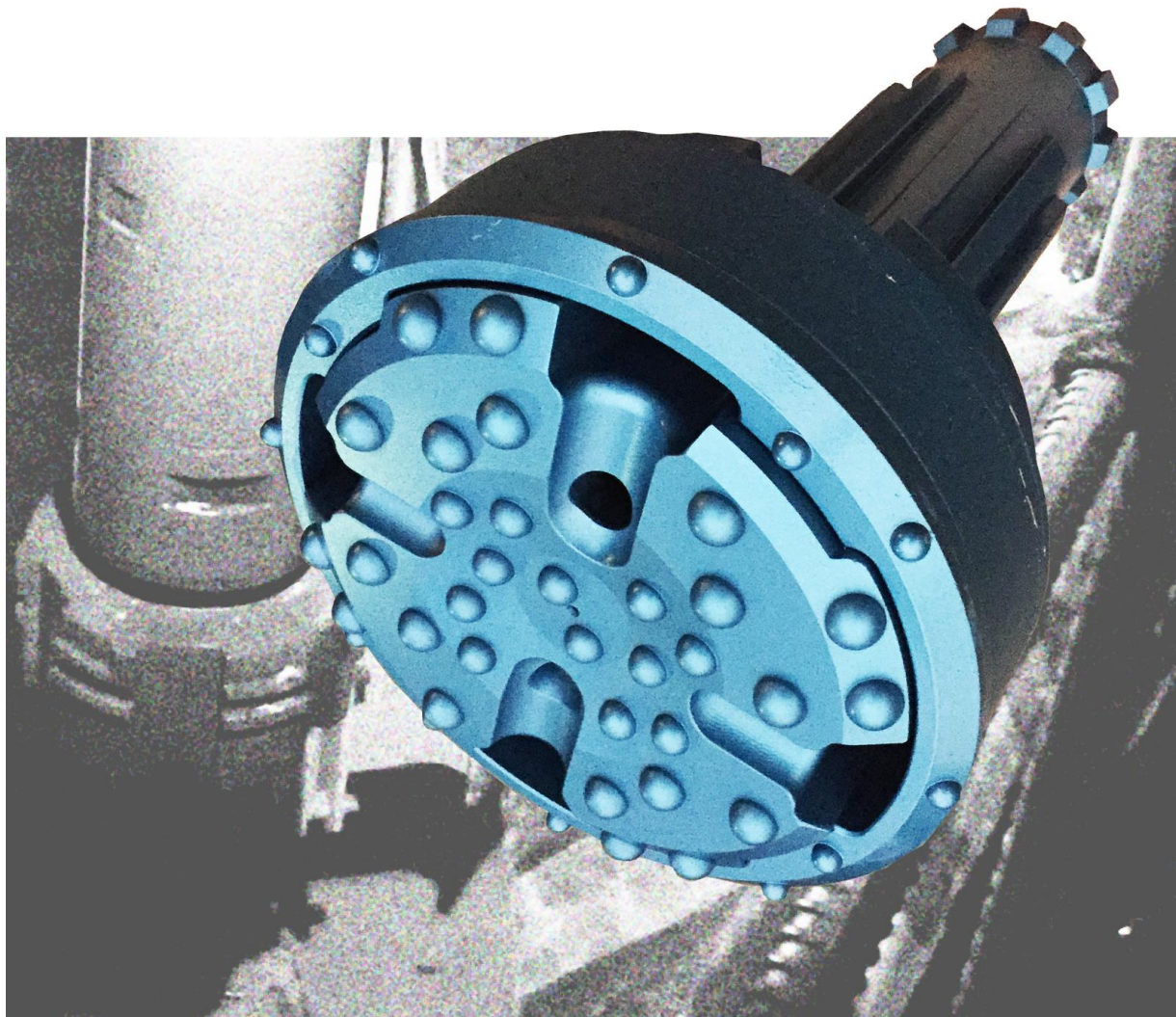


# PITUMEC

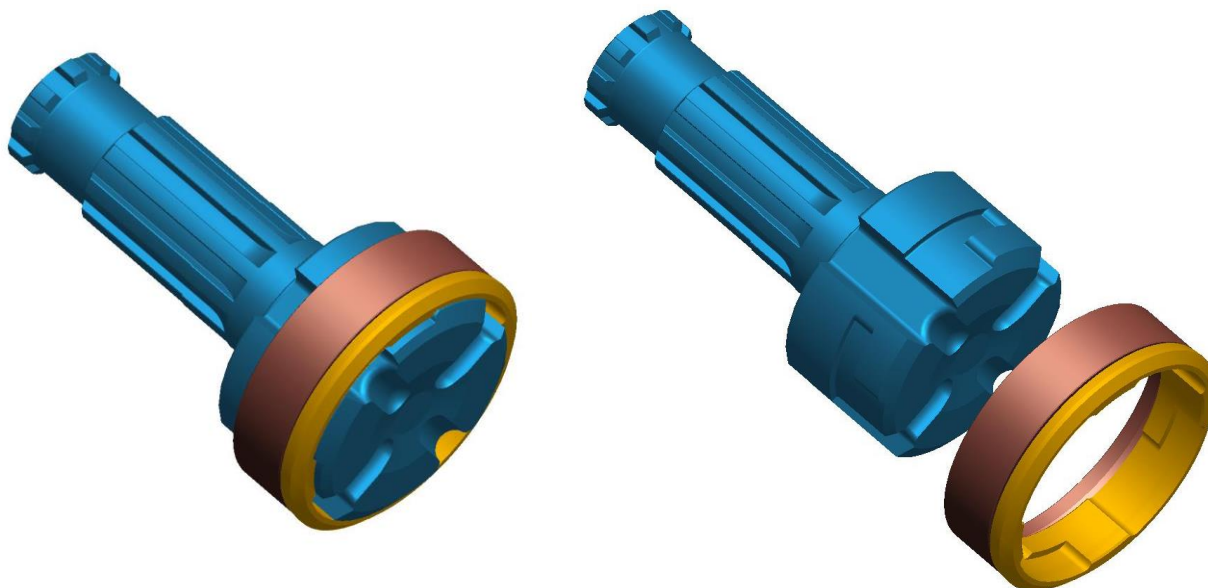
## THE PRING-SX 315 RING BIT CASING SYSTEM



---

**CASING SIZE 355MM OD X 339MM ID DRILLING DIA. 380MM**

# PNEUMEC PRING-SX 315 CASING SYSTEM



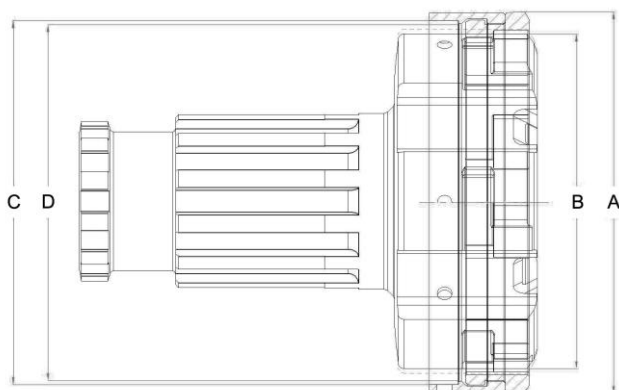
## PRING-SX 315 PARTS LIST

1.	DRIVER BIT N120 SHANK	UGD315N12RSX
2.	RING ASSEMBLY	URS315RSX
3.	COMPLETE SYSTEM	UCS315N12RSX

## PRING-SX 315 SPECIFICATIONS

UPPER BODY DIAMETER	336MM	RING ID	318MM
RING OD	380MM	CASING SIZE	355MM OD X 339MM ID
SYSTEM LENGTH	700MM	SYSTEM WEIGHT	240KG

## PRING-SX 315 SCHEMATIC VIEW



A	Drilling Diameter	380MM
B	Bit Pass Through Diameter	315MM
C	Casing OD	355MM
D	Casing ID	339MM



**PNEUMEC COMPANY LIMITED**

1st Floor, Tin On Sing Comm. Bldg., 41-43 Graham St. Central, H.K.

Tel : (852) 2180 9922

Fax : (852) 2180 9982

Website : [www.pneumec.com](http://www.pneumec.com)

email : [info@pneumec.com](mailto:info@pneumec.com)